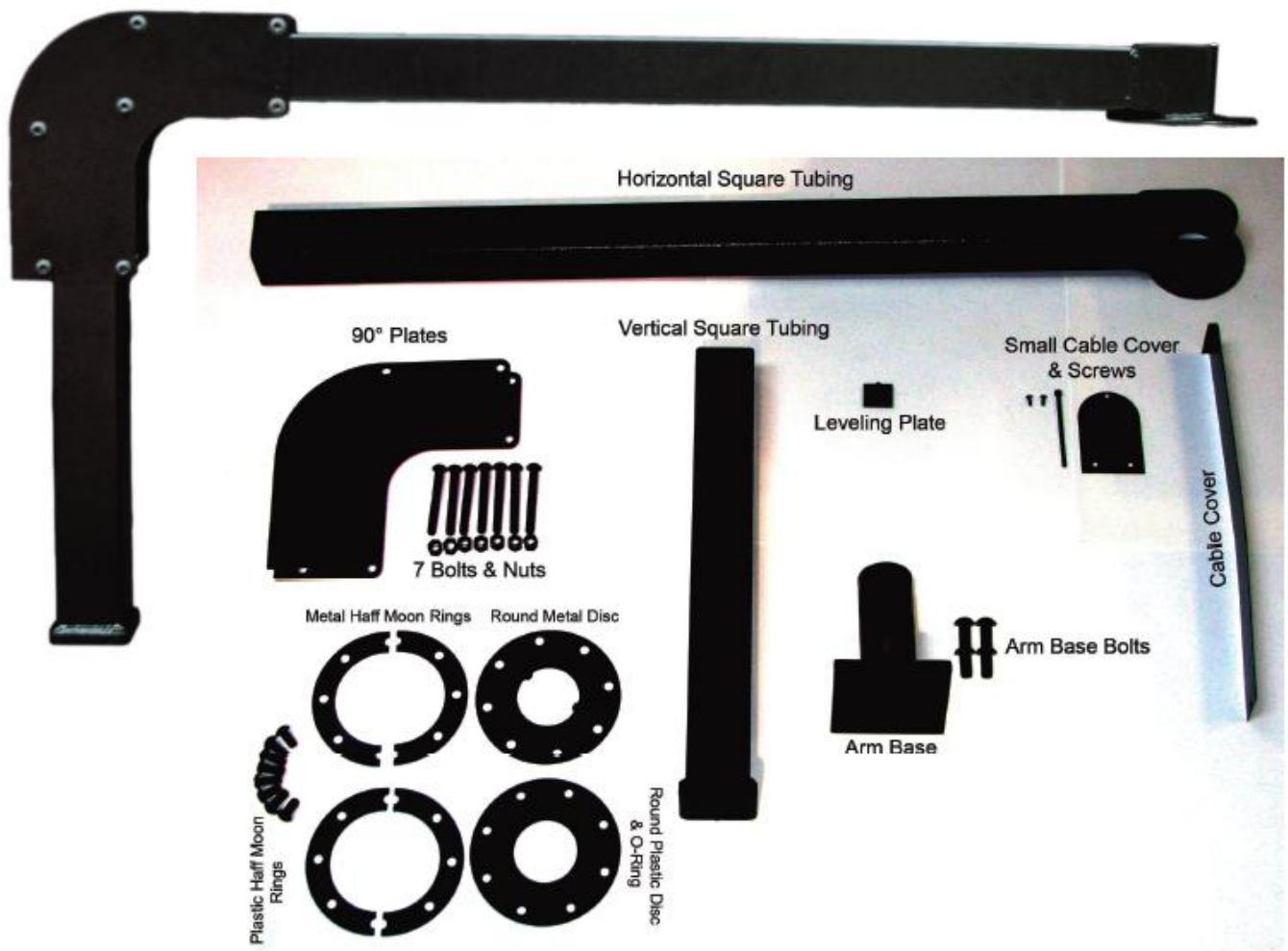


Arm Assembly

VERTICAL OR HORIZONTAL SURFACE



8/5/16

N0149

This manual covers the setup and installation of the Arm Assembly.

This manual as well as all other MachMotion manuals can be found at www.MachMotion.com

Copyright © 2016, MachMotion
All rights reserved.

Arm Assembly and Installation

1 BASE MOUNT

1. Mount arm base* on a level and flat surface. (Figure 1)

(*For vertical surface mount, a minimum of 1" spacer is needed for mounting to a wall)



FIGURE 1 – HORIZONTAL BASE MOUNT



FIGURE 2 – VERTICAL TUBING

2. Slide the vertical square tubing onto base. If height adjustment is needed, make a mark at the desired arm height and cut tubing with a metal chop-saw or band-saw. (Figure 2)

2 ELBOW PLATES

1. Hold the two 90° plates on the vertical square tubing. Insert four bolts and hand tighten. (Figure 3)
2. When finished, make sure the corner bolt is still above the vertical square tubing. (Figure 3)



FIGURE 3 - ELBOW PLATES

3. Place the square leveling plate with the set-screws behind the bolt. (Figure 4)
4. Lightly tighten the bolts, except for the corner bolt. (Figure 4)
5. Insert the three remaining bolts in the elbow plates and hand tighten.
6. Cut the horizontal tubing to desired length (Just like the vertical tubing in figure 2). Do not install it yet.

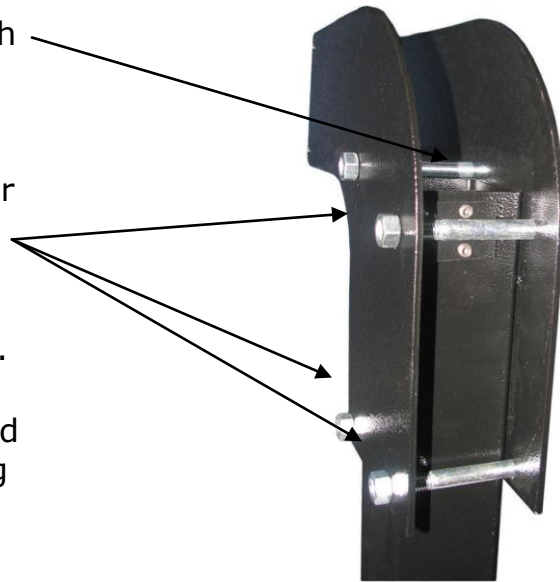


FIGURE 4 - LEVELING PLATE

3 CONTROL MOUNT

1. Place the round metal disc down, with the two tabs closer to the rear of the panel. (Figure 5)

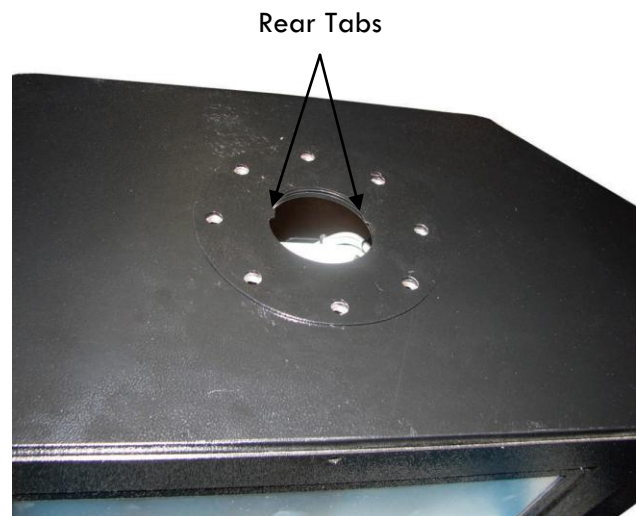


FIGURE 5 - DISC MOUNT

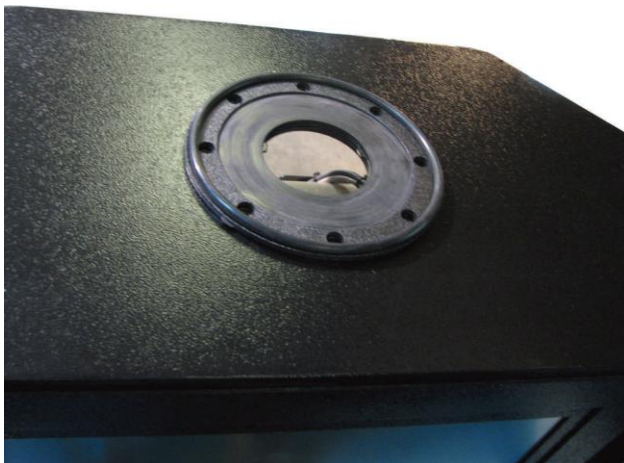


FIGURE 6 - PLASTIC DISC AND O-RING

2. Stack the plastic disc on top of the metal disc with the grooves facing upward. Set the o-ring in groove of the plastic disc. (Figure 6)

3. Set one of the plastic half moon rings down with a metal one on top and lightly screw down. (Figure 7)
4. Slide the horizontal square tubing flange under the plastic and metal half moon rings. (Figure 8)
5. Install the other 2 half moon rings, and tighten the screws until they are snug.



FIGURE 8 - MOUNTING CONTROL TO ARM

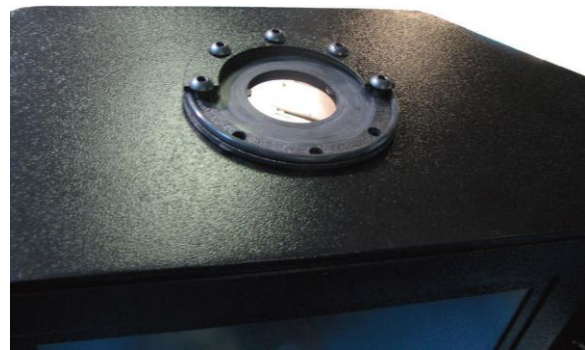


FIGURE 7 - HALF MOON RING

6. Slide the whole panel and arm (horizontal tubing) into the top of the elbow plates. (Figure 9)



FIGURE 9 - MOUNTING CONTROL TO BASE

7. Level the arm by using the leveling plate. Just tighten the two set-screws evenly until the arm is level (Figure 10)

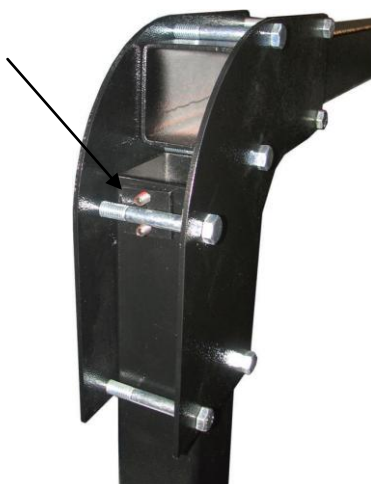


FIGURE 10 - LEVELING PLATE

4 WIRE ROUTING

1. Route all your wires and cables through the arm (Figure 11)
2. Get the cable cover and loosen the end clip screw.
3. Slide the cable cover in between the elbow plates, starting at the top front bolt and working your way down the back, tightening the bolts as you go. (Figure 12)
4. Extend the end clip on the cable cover so it clears the elbow plates. While holding the cable cover into place, slide the end clip into the elbow plates to lock the cable cover in place, and tighten the set screw.
5. Mount the small cable cover by installing the 2 small screw in the back and the 3" screw on the round end of the cover. (Figure 13)



FIGURE 11 – LEVELING PLATE



FIGURE 12 – CABLE COVER

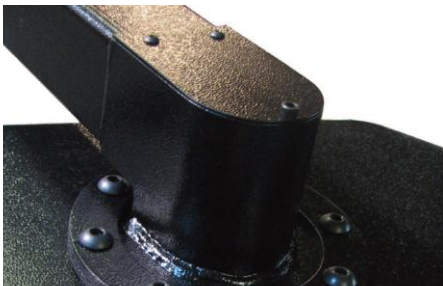


FIGURE 13 – SMALL CABLE COVER

5 APPENDIX

5.1 Warranty Information

MachMotion guarantees all products to be free from manufacturer defects for a period of one year from the date of purchase. Products which prove to be defective under normal conditions and proper use, during the warranty period, will be repaired or exchanged free of charge. For warranty service the customer must contact MachMotion for an RMA number and then return the defective product to MachMotion. If a product is sent to MachMotion without an RMA number, the product may be misdirected or delayed. When a product or part is exchanged, any replacement item becomes the customer's property and the replaced item becomes MachMotion's property.

If the defect is found to be caused by improper use or installation, the warranty is void. Otherwise the product will be repaired or exchanged and returned to the address located on the Product Return/Repair Form.

MachMotion will cover ground shipping cost for the replacement/repaired product being returned to the customer. MachMotion does offer expedited shipping at the customer's expense.

If a replacement product is needed quickly, a replacement can be sent immediately. In this case the customer will be charged for the replacement part at the time of the order and be refunded that charge when the defective component is returned to MachMotion, assuming the defective item falls under the warranty guidelines. MachMotion will issue a refund within two work weeks after receiving the faulty component.

5.2 Additional Resources

Additional manuals and resources can be found at MachMotion.com

The Mach Motion Team

<http://www.machmotion.com>

14518 County Road 7240, Newburg, MO 65550

(573) 368-7399 • Fax (573) 341-2672