

REVISIONS	

SYMBOL TABLE		
SYMBOL	TAG	DESCRIPTION
	CR	RELAY COIL
	CON, M, K	CONTACTOR COIL
	SOL	SOLENOID
	BRK	MAGNETIC BRAKE
		CONTACT
	PRS	PROXIMITY SWITCH
	TAS	TEMPERATURE SWITCH
	PB	PUSH BUTTON
	MTR	MOTOR
	T	CONTROL TRANSFORMER
	T	POWER TRANSFORMER
	PWS	POWER SUPPLY
	DR	DRIVE
		MODULE
	OL	OVERLOAD PROT RELAY
	DISC	DISCONNECT SWITCH
	FU	FUSE
	CB	CIRCUIT BREAKER
	RES	RESISTOR
	VR	VARISTOR, THERMISTOR
	C	CAPACITOR
	REC	DIODE
	GND, PE	PROTECTIVE EARTH/ EQUIPMENT GROUND
	FG	FRAME GROUND
	TER, TB	TERMINAL
		CONNECTION POINT
		SHIELDED
		TWISTED PAIR
		ARC SUPPRESSOR

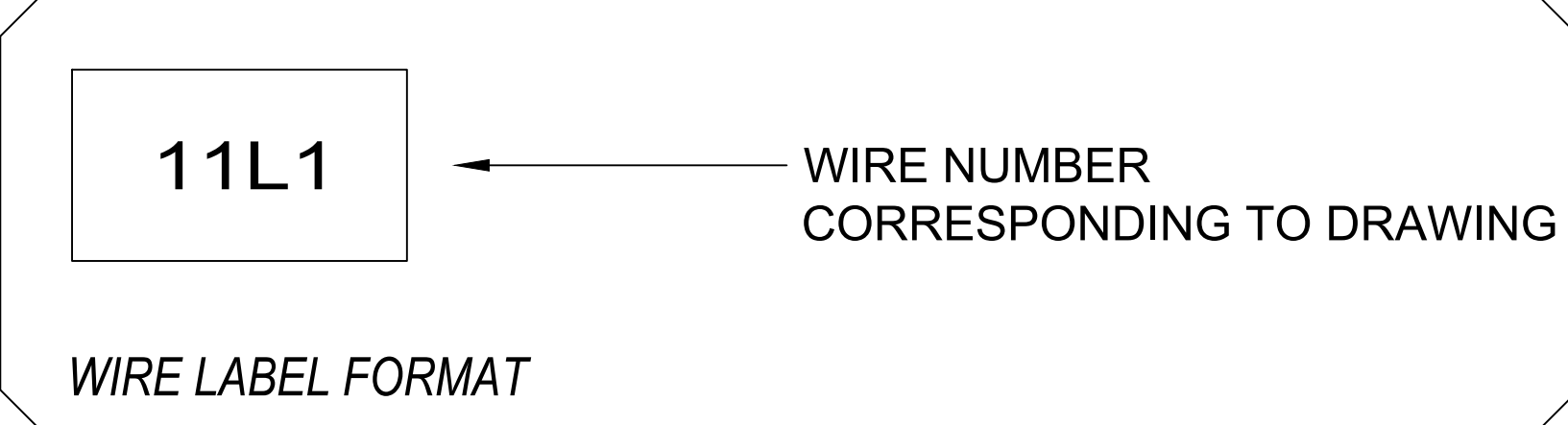
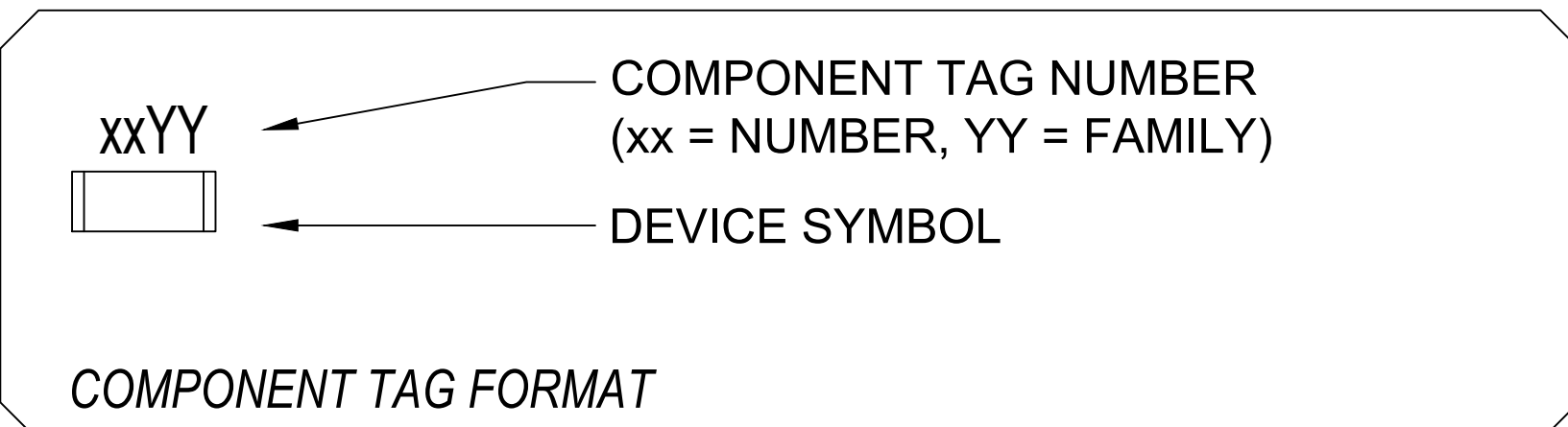


ROLLA, MISSOURI, USA
 573-368-7399
 MACHMOTION.COM

CNC CONTROL SYSTEM

ELECTRICAL CIRCUIT DIAGRAM

NOTE: ALL FUNCTIONS MAY NOT BE PRESENT OR AVAILABLE AS SHOWN. REFER TO USER MANUAL.



 MACHMOTION 14518 CR 7240 ROLLA, MISSOURI, USA 573-368-7399 MACHMOTION.COM	STANDARD WATERJET ELECTRICAL DRAWING (YASKAWA)			
	TITLE SHEET			
SIZE D	FSCM NO	DRAWING NUMBER ES0321	REV	
SCALE NTS	SHEET 1		1	

REVISIONS			

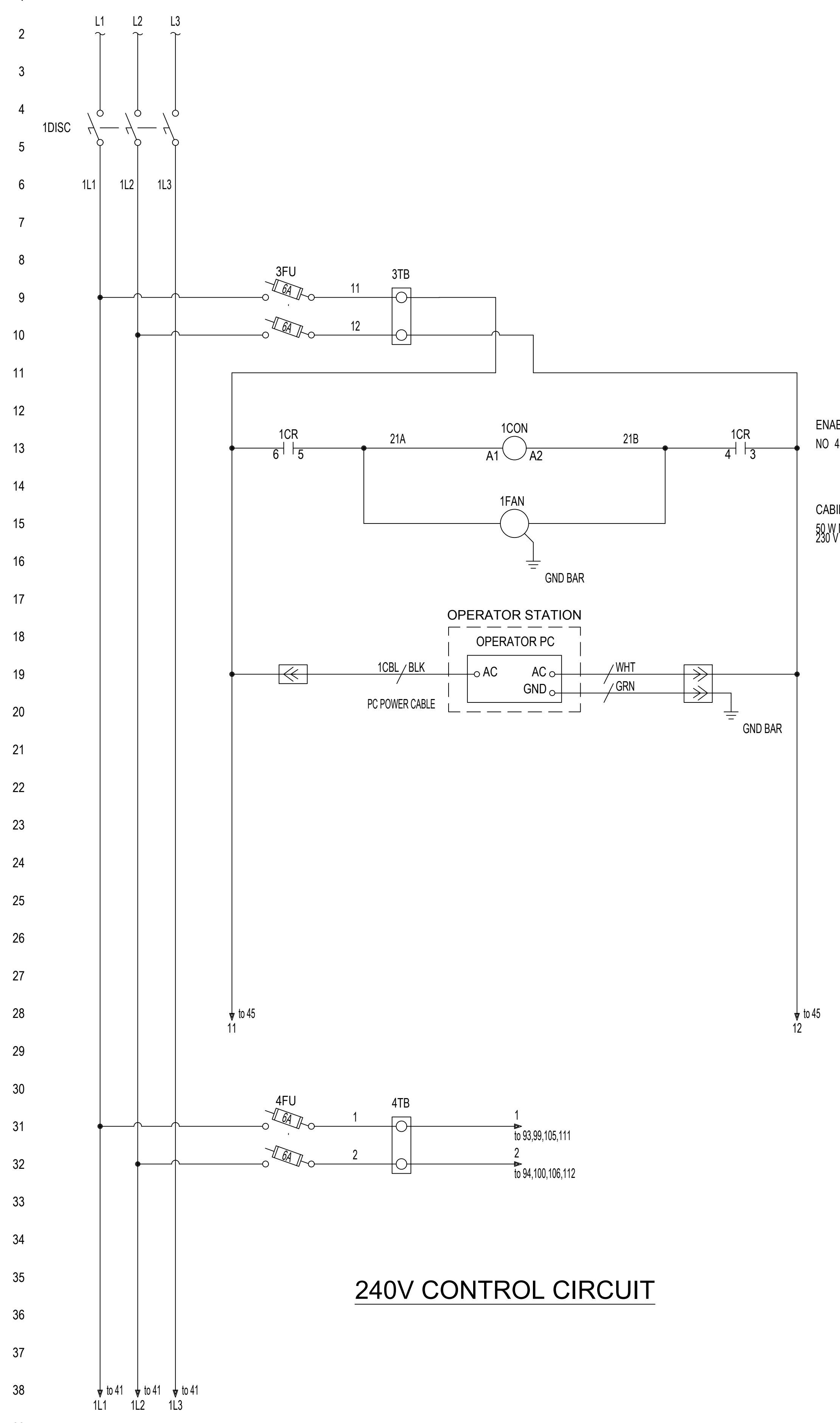
NOTE: INCOMING POWER 230V AC ±10% 3-PH

D

C

B

A



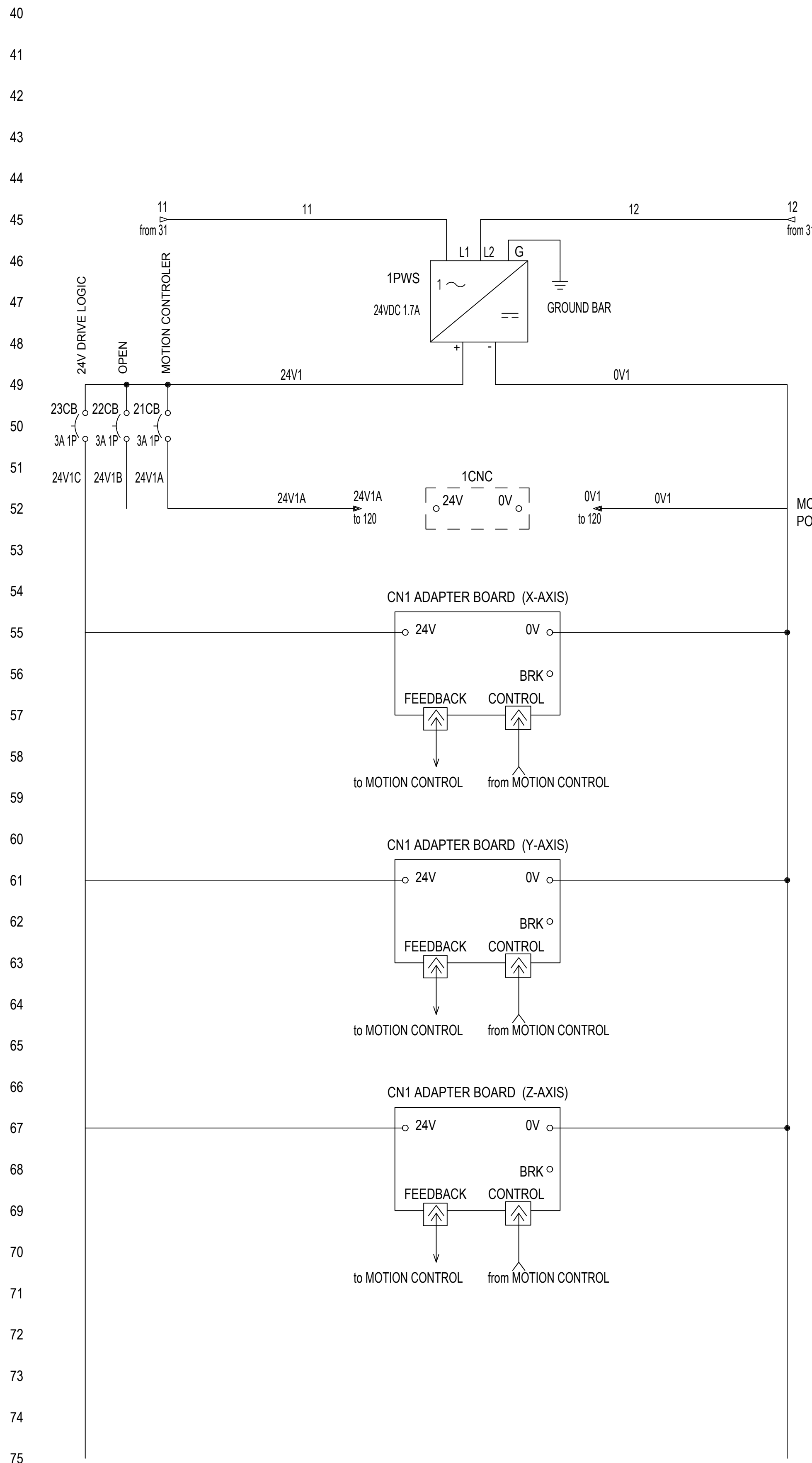
240V CONTROL CIRCUIT

D

C

B

A

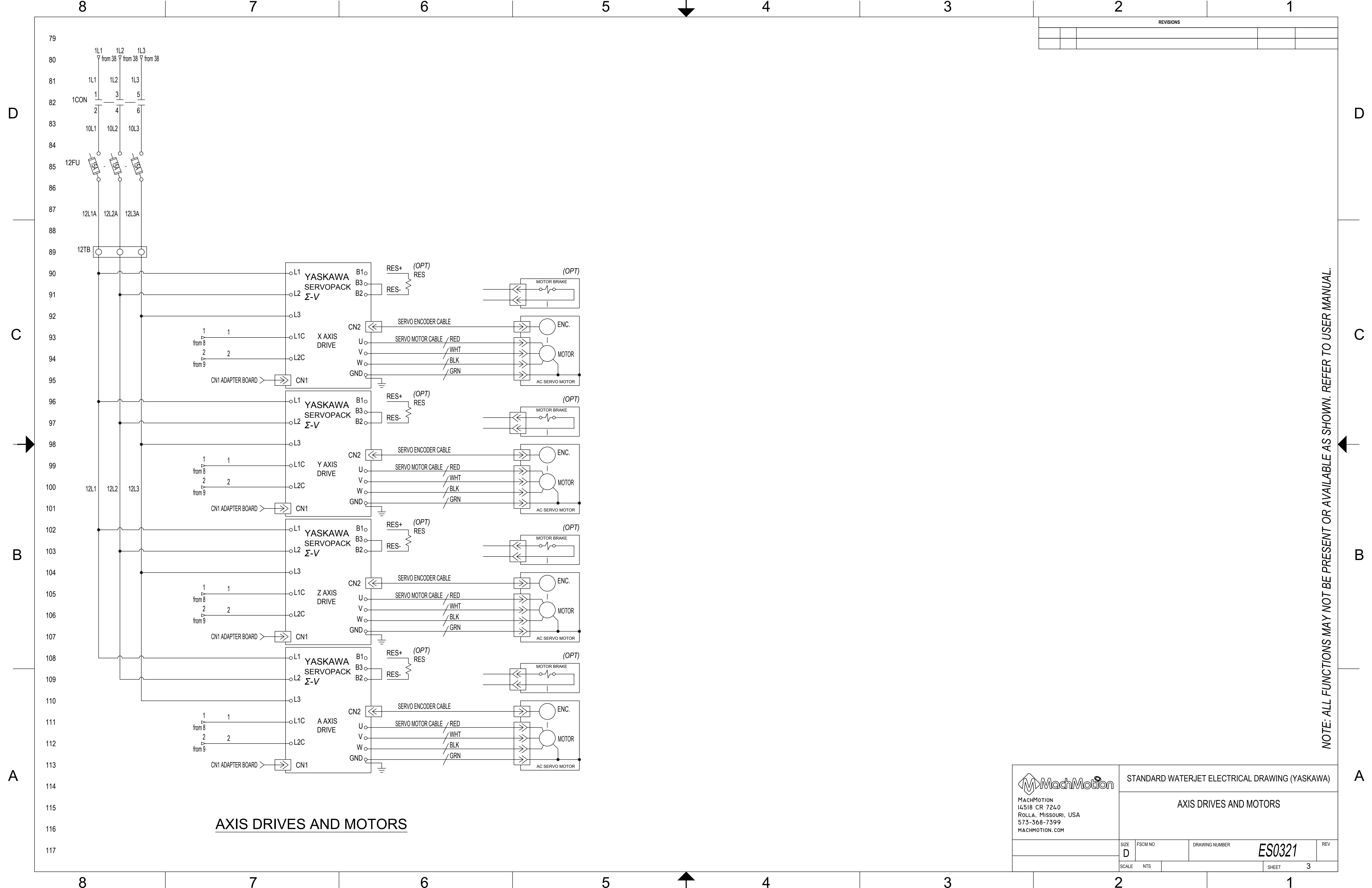


24V CONTROL CIRCUIT

NOTE: ALL FUNCTIONS MAY NOT BE PRESENT OR AVAILABLE AS SHOWN. REFER TO USER MANUAL.

<p>MACHMOTION 14518 CR 7240 ROLLA, MISSOURI, USA 573-368-7399 MACHMOTION.COM</p>	STANDARD WATERJET ELECTRICAL DRAWING (YASKAWA)		
	MAIN POWER DISTRIBUTION		
SIZE D	FSCM NO	DRAWING NUMBER ES0321	REV
SCALE NTS	SHEET 2		

REVISIONS			

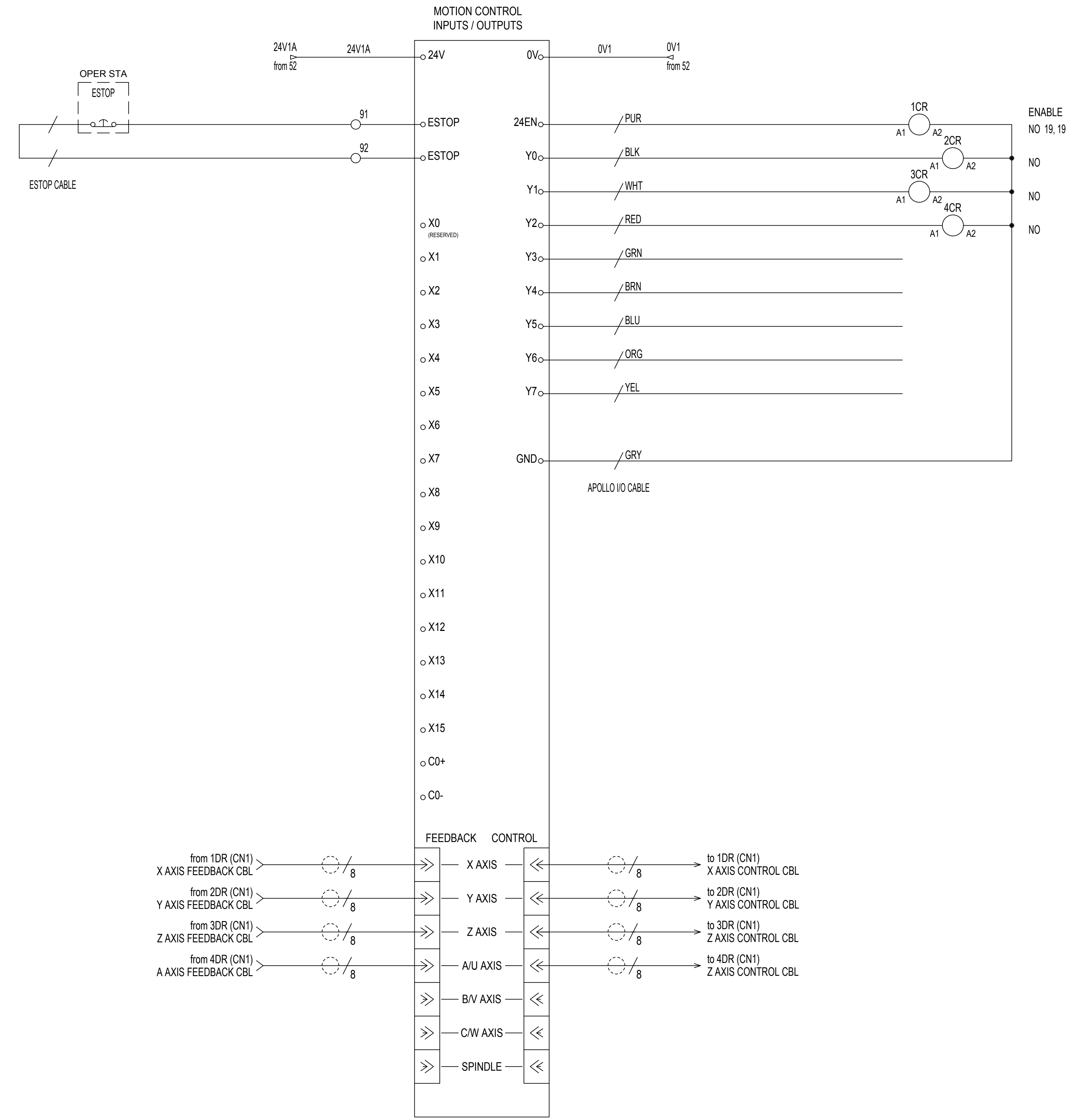


AXIS DRIVES AND MOTORS

NOTE: ALL FUNCTIONS MAY NOT BE PRESENT OR AVAILABLE AS SHOWN. REFER TO USER MANUAL.

<p>MACHMOTION 14518 CR 7240 ROLLA, MISSOURI, USA 573-368-7399 MACHMOTION.COM</p>	STANDARD WATERJET ELECTRICAL DRAWING (YASKAWA)		
	AXIS DRIVES AND MOTORS		
SIZE D	FSCM NO	DRAWING NUMBER ES0321	REV
SCALE NTS	SHEET 3		

REVISIONS			



X0	X5	X10	X15
X	X	X	X
SINKING LOGIC (NPN)			
SOURCING LOGIC (PNP) (DEFAULT)			

APOLLO III INPUT JUMPER SETTINGS - REFER TO USER MANUAL

TYPICAL APOLLO III INPUTS (WATERJET)
CONFIGURABLE IN SOFTWARE - REFER TO USER MANUAL

INPUT	FUNCTION
X0	RESERVED
X1	X (0) HOME
X2	Y (1) HOME
X3	Z (2) HOME
X4	W (3) HOME
X5	
X6	
X7	
X8	
X9	
X10	
X11	
X12	
X13	
X14	
X15	

TYPICAL APOLLO III OUTPUTS (WATERJET)
CONFIGURABLE IN SOFTWARE - REFER TO USER MANUAL

RELAY #	OUTPUT	SIGNAL / FUNCTION
1CR	24EN	ENABLE
2CR	Y0	PUMP
3CR	Y1	PRESSURE
4CR	Y2	JET 1
5CR	Y3	JET 2
6CR	Y4	JET 3
7CR	Y5	ABRASIVE 1
8CR	Y5	ABRASIVE 2
9CR	Y5	ABRASIVE 3

NOTE: ALL FUNCTIONS MAY NOT BE PRESENT OR AVAILABLE AS SHOWN. REFER TO USER MANUAL.

<p>MACHMOTION 14518 CR 7240 ROLLA, MISSOURI, USA 573-368-7399 MACHMOTION.COM</p>	STANDARD WATERJET ELECTRICAL DRAWING (YASKAWA)		
	MOTION CONTROL		
SIZE D	FSCM NO	DRAWING NUMBER ES0321	REV
SCALE NTS	SHEET 4		

MOTION CONTROL

8

7

6

5

4

3

2

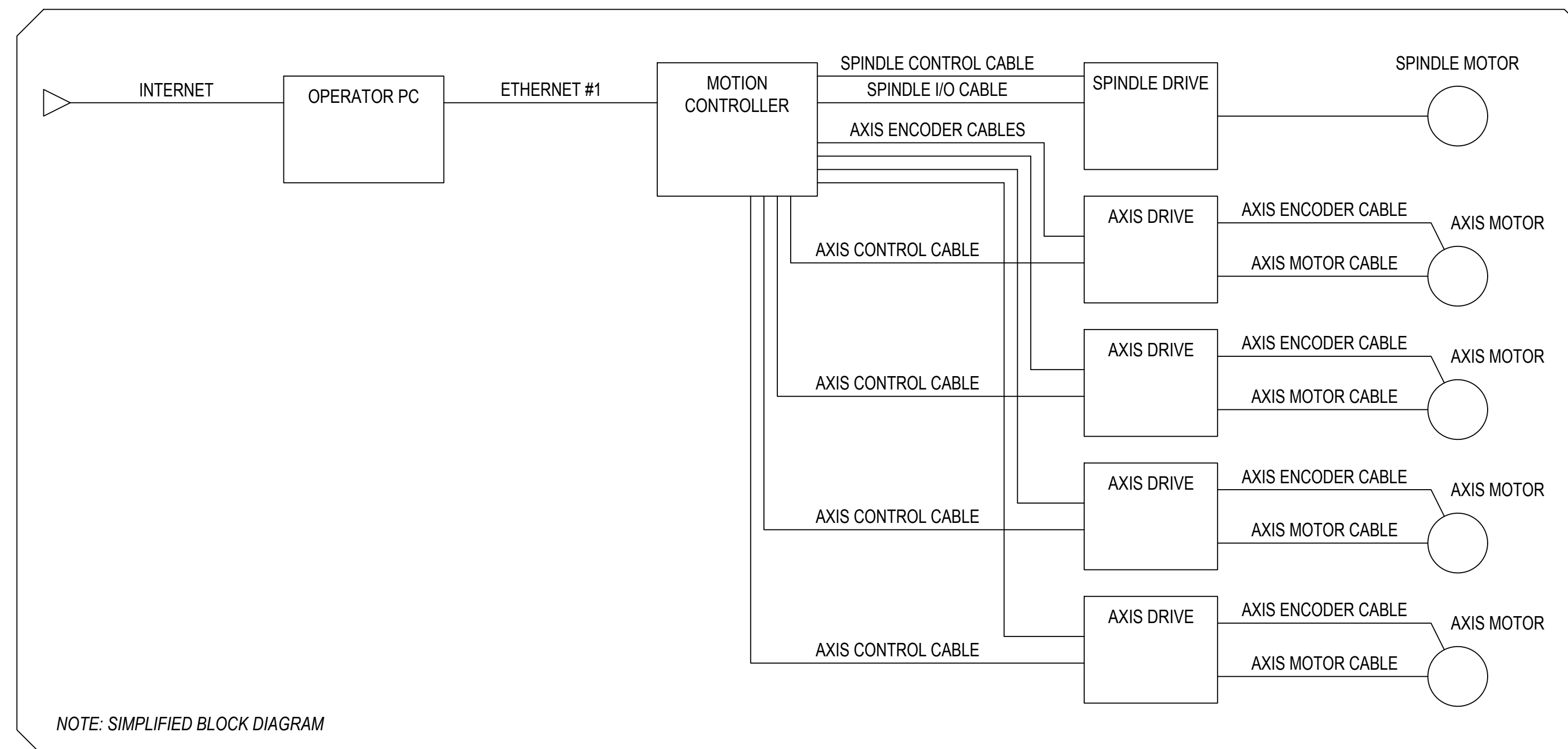
1

REVISIONS			

D

D

BLOCK DIAGRAM



NOTE: SIMPLIFIED BLOCK DIAGRAM

C

C

B

B

A

A

NOTE: ALL FUNCTIONS MAY NOT BE PRESENT OR AVAILABLE AS SHOWN. REFER TO USER MANUAL.

8

7

6

5

4

3

2

1

<p>MACHMOTION 14518 CR 7240 ROLLA, MISSOURI, USA 573-368-7399 MACHMOTION.COM</p>	STANDARD WATERJET ELECTRICAL DRAWING (YASKAWA)		
	BLOCK DIAGRAM		
SIZE D	FSCM NO	DRAWING NUMBER ES0321	REV
SCALE	NTS	SHEET	5