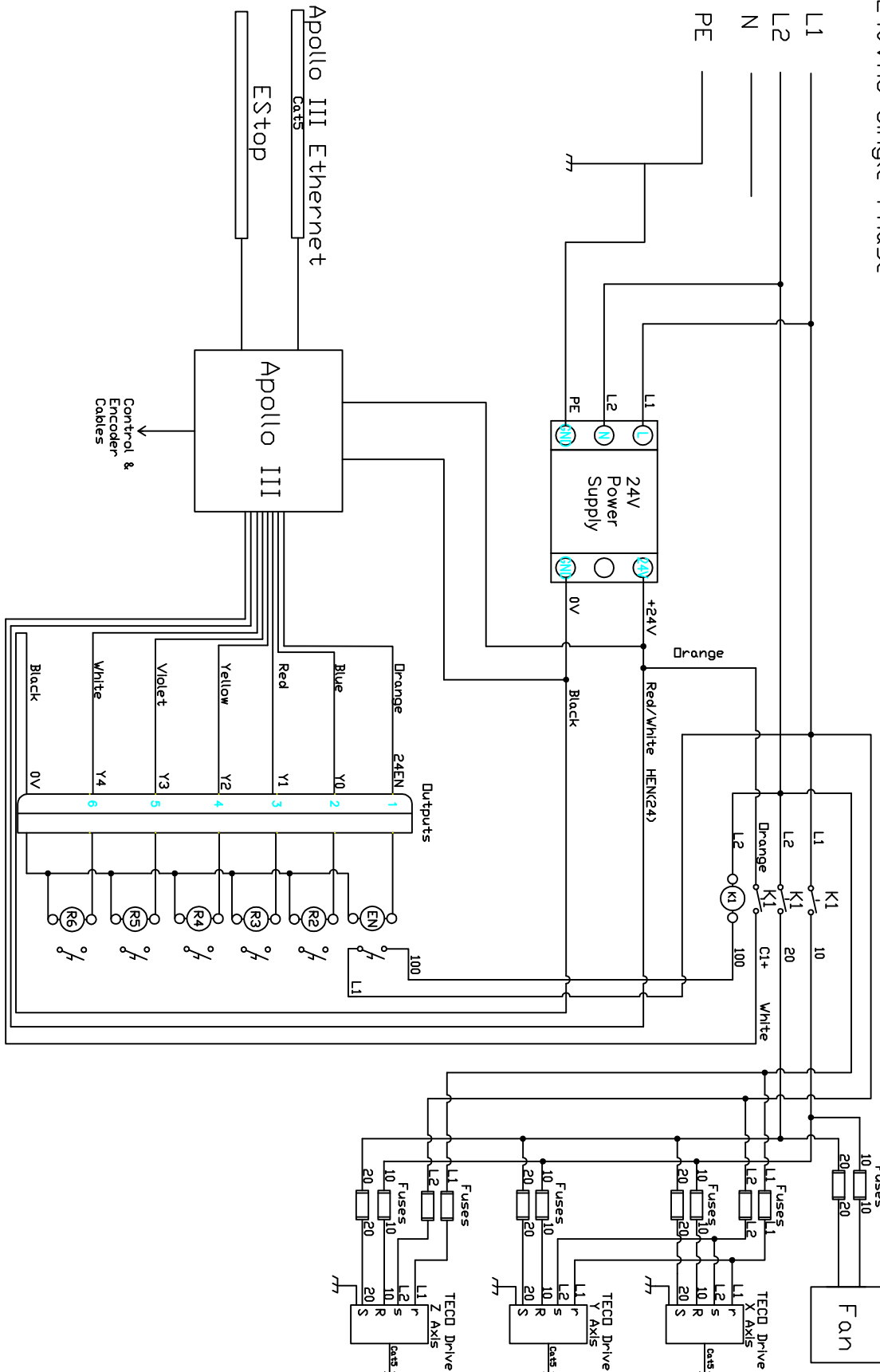


System Voltage:
200-240VAC Single Phase



✱ Allied Electronics Part Numbers
Fan Filter Kit: 592-3044
Fan: 592-1503

TECO 3 Servo Axis Enclosure with Apollo III	
SIZE / FSQM NO.	DRAWING NUMBER
SCALE	1408-13P1-A3
REV	
SHEET 1 of 1	

REVISIONS