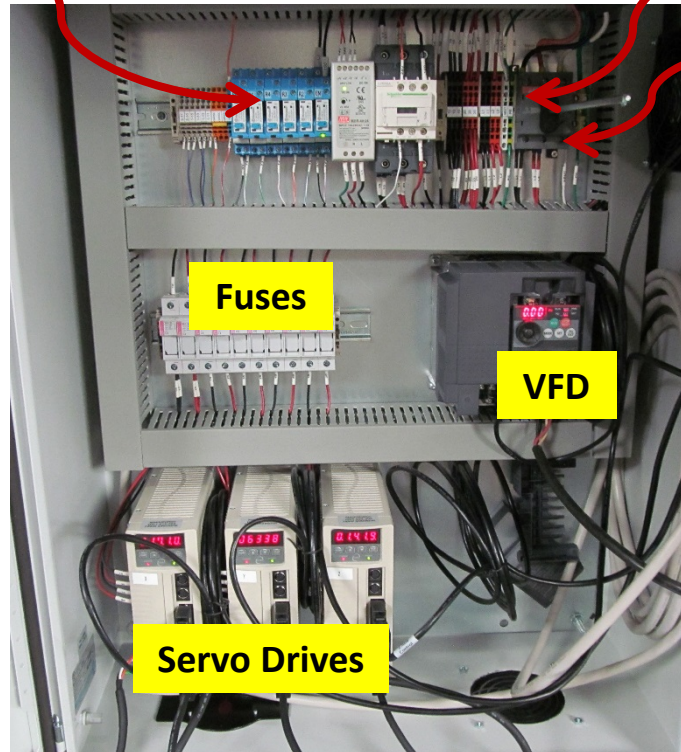


# ELECTRICAL ENCLOSURE WIRING DIAGRAM APOLLO I (EXAMPLE)

Outputs				
Relay	Port/Pin	Function	On	Off
R1	11-0	Enable		
R2	11-1	Mist	M7	M9
R3	11-2	Coolant	M8	M9
R4	11-3		M200	M201
R5	11-4		M202	M203
R6	11-5		M204	M205
R7	11-6		M206	M207
R8	11-7		M208	M209



Three Phase Power

Ground & Neutral