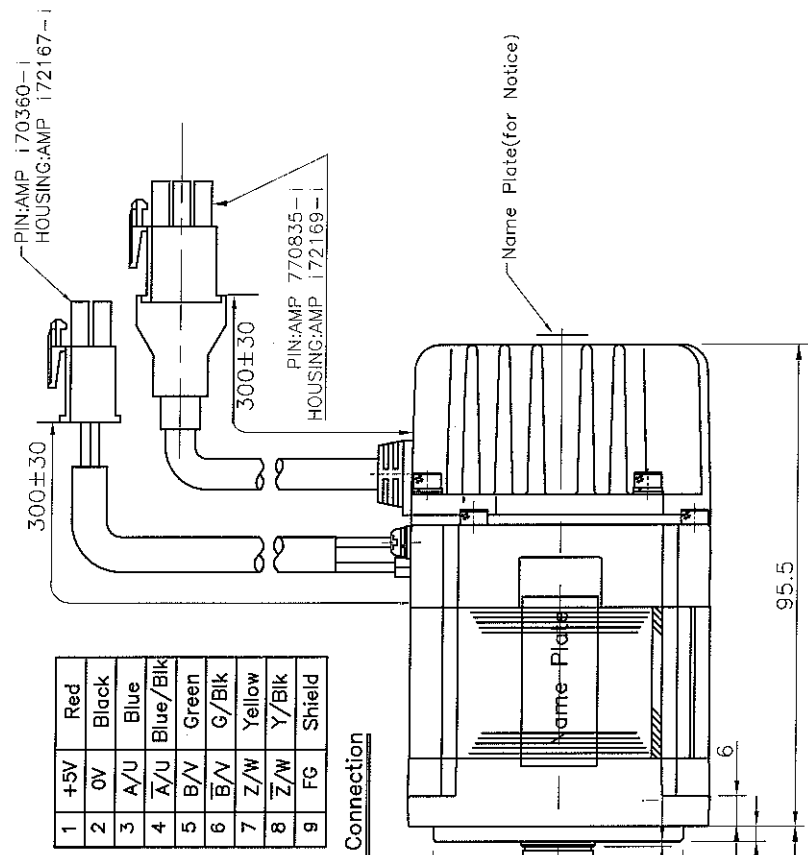
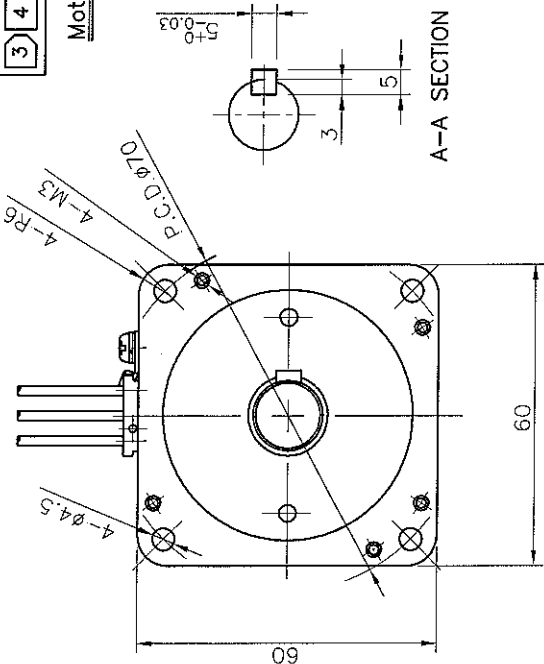
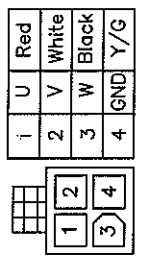
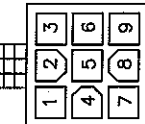


Model: 6CC401G-3DEBWAS

No. Item	Symbol	Unit	Specification	No. Item	Symbol	Unit	Specification
1	Drive	-	Rectangular Wave	16	Resistance	Ra	$\Omega$ 1.87±10%/2 $\phi$
2	Cooling Method	-	Totally Enclosed	17	Inductance	La	mH 4.22±10%/2 $\phi$
3	Exciting Method	-	Permanent Magnet	18	Mech. Time Constant	Tm	ms 0.48±10%
4	Resolution	-	2500 C/T	19	Elect. Time Constant	Te	ms 2.25±10%
5	Rated Output	W	400	20	Insulation Class	-	Class F
6	Rated Torque	N-m	1.274	21	Operation Temp.	T	°C 0~40
7	Max. Torque	N-m	3.82	22	Operation Humd.	RH	% <90
8	Rated Speed	rpm	3000	23	Storage Temp.	T	°C -20~60
9	Max. Speed	rpm	4000	24	Storage Humd.	RH	% <90
10	Rated Current	A	3.5				
11	Max. Current	A	11.1				
12	Torque Constant	N-m/A	0.32±10%				
13	Back emf(at 1800rpm)	Volts	40±10%/2 $\phi$				
14	Rater Inertia	Kg-cm <sup>2</sup>	0.29±10%				
15	Rated Power Rate	kw/s	156				



Encoder Connection	Motor Connection
1 +5V Red	1 U Red
2 0V Black	2 V White
3 A/U Blue	3 W Black
4 A/U Blue/Blk	4 GND Y/G
5 B/V Green	
6 B/V G/Blk	
7 Z/W Yellow	
8 Z/W Y/Blk	
9 FG Shield	



STANDARD TOLERANCE		REV DESCRIPTION		SIGNATURE		DATE	
X	±0.5						
.X	±0.2						
.XX	±0.05						
ANGLE	±30'						

MATERIAL	APVD	CHKD	CHKD	DRN	SIGNATURE	DATE

SCALE	2/3	UNIT	NAME	TITLE	Dept. Design	DWG.NO.
3RD .A.P			Servo Motor Outline Drawing	6CC401G-3DEBWAS		DTS6C401C3AWN000